



# Better Pumps. Better Coverage.

## Improved Fuel Pump Design for Dodge/ Cummins Diesel Applications Technical Service Bulletin

### The Problem:

Fuel delivery systems on Dodge trucks equipped with Cummins diesel engines use outdated technology. The rotary vane-style fuel pump delivers minimal fuel output in a unit that is noisy and inefficient.

### The Solution:

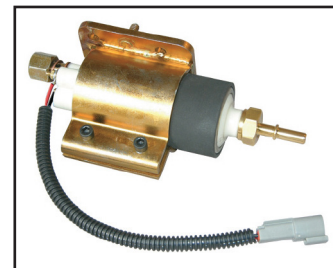
The newly-designed Airtex E7153 fuel pump offers improved performance over the rotary vane pump with quieter operation, increased flow, and tolerance for contamination.

Using proven state-of-the-art fuel pump technology, this solution reduces failure and replacement rates with a modern fuel pump that is quiet and improves performance/reliability when compared to the rotary vane-style fuel pump.

With a unique mounting bracket, the Airtex unit is a direct replacement for the rotary vane pump. Installation is the same as the rotary vane design – three mounting bolts and two fuel line fittings. The key difference is in the proven upgrade in performance of the Airtex unit.



**Existing Pump on Vehicle**



**Improved Design  
(Plus Wiring Harness)**



**AIRTEX**  
Fuel Delivery Systems

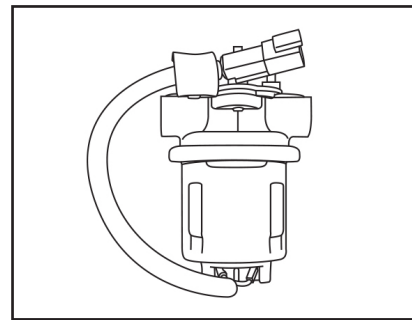


# Better Pumps. Better Coverage.

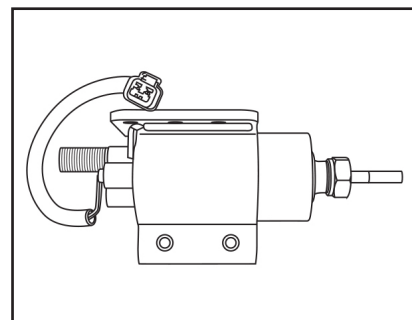
## Improved Fuel Pump Design for Dodge/ Cummins Diesel Applications Technical Service Bulletin

The upgraded performance is as dramatic as the upgrade in product design.  
Product specifications follow:

<b>PART NUMBER</b>	<b>MAKE</b>	<b>YEAR</b>	<b>MODEL</b>	<b>APPLICATIONS</b>
E7153	Dodge	1998	Ram 1500, 2500, 3500 Pickup 2 & 4 Wheel Drive	359 (5.9L)-(6) (Cummins Turbo Diesel, 24 Valve, ETC Engine Code
E7153	Dodge	02-99	Ram 1500, 2500, 3500 Pickup 2 & 4 Wheel Drive	359 (5.9L)-(Cummins Turbo Diesel, Externally Mounted)



**Existing Pump on Vehicle**



**Replacement Pump**

